

## IZOLATOARE SUPTOR DIVERSE MISCELLANEOUS SUPPORT INSULATORS

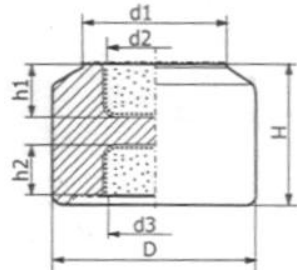


Fig.1

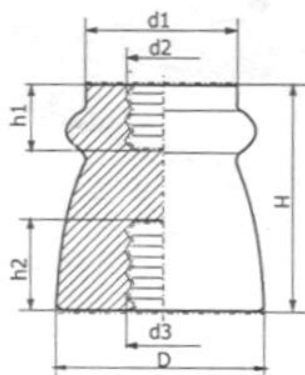


Fig.2

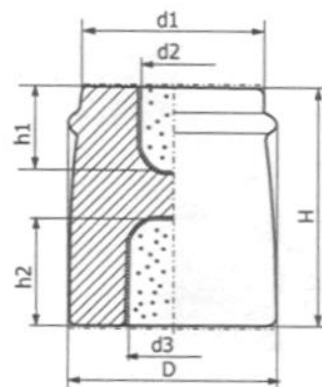


Fig.3

### DIMENSIUNI DIMENSIONS

Tip / Type		IS-LE	SAI 1,2	SBI 7,2	SCI 7,2	SAIC 7,2
Cod / Code		F114-066	F114-021	F114-049	F114-114	F 114 -022
Figura / Figure		1	2	2	2	3
H	mm	58	70	100	100	100
D	mm	85	72	115	130	82
d <sub>1</sub>	mm	60	60	98	108	62
d <sub>2</sub>	mm	42	38	50	50	40
d <sub>3</sub>	mm	42	38	50	50	40
h <sub>1</sub>	mm	22	30	40	40	35
h <sub>2</sub>	mm	22	30	40	40	47
Masa /Weight	kg	0,50	0,42	1,80	2,06	0,75

GROSS TOLERANCES: ACORDING TO DIN 40680

### CARACTERISTICI CHARACTERISCS

Tip / Type		IS-LE	SAI 1,2	SBI 7,2	SCI 7,2	SAIC 7,2
Cod / Code		F114-066	F114-021	F114-049	F114-114	F 114 -022
Tensiunea de tinere la ITT Lightning impulse withstand voltage	kV <sub>max</sub>	20	20	60	60	60
Tensiunea de tinere la frecventa ind. sub ploaie Power frequency withstand voltage, wet	kV <sub>ef</sub>	5	5	20	20	20