



IZOLATOARE TIP T DE JOASA TENSIUNE LV SHACKLE INSULATORS

Fig.1

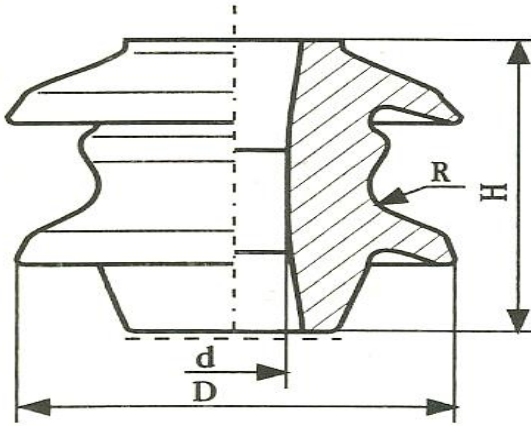
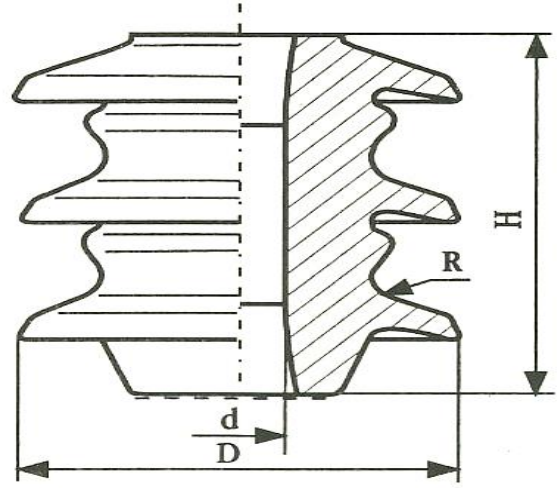


Fig 2



DIMENSIUNI SI CARACTERISTICI DIMENSIONS AND CHARACTERISTICS

		T 80	TD 80	TD115
Code		114-002	114-005	114-026
Figure		1	2	2
H	mm	80	80	115
D	mm	95	80	115
d	mm	22	22	32
r	mm	8	6,5	8
Linia de fuga Creepage distance	mm	65	65	95
Masa Weigth	kg	0,550	0,700	1,500

GROSS TOLERANCES: ACORDING TO DIN 40680

CHARACTERISTICS

			114-002	114-005	114-026
Code					
Rezistenta mecanica Mechanical load	kN		10	10	15
Tensiunea de tinere la frecventa industriala Power frequency withstand voltage,dry	Uscat (dry)	kV _{ef}	25	25	30
	Sub ploaie(wet) horiz.	kV _{ef}	8	10	15
	Sub ploaie(wet) vert.	kV _{ef}	5	8	8
Test methods			IEC 60383-1/93, IEC 60071-1/93		