

**IZOLATOARE SUPTU PENTRU LINII ELECTRICE DE JOASA TENSIUNE  
LV PIN INSULATORS**

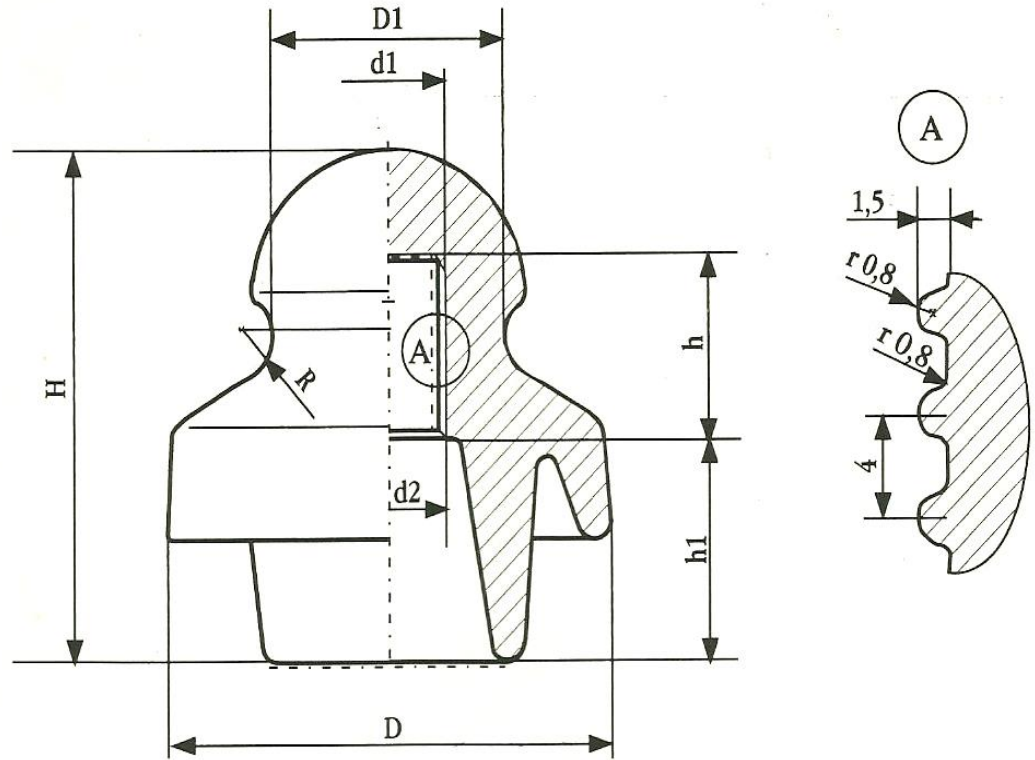


Fig1

**DIMENSIUNI SI CARACTERISTICI  
DIMENSIONS AND CHARACTERISTICS**

			N 87	N 97
Code			114-231	114-230
Figure			1	1
Inaltimea Heigth	H	mm	87	97
Diametrul exterior maxim Maximum external diameter	D	mm	80	95
Diametrul in zona de prindere a conductorului Diameter of the groove	D <sub>1</sub>	mm	max 42	max 50
Raza Radius	R	mm	7,5	14
Diametrul filetului la partea superioara a gaurii Top end threaded hole diameter	d <sub>1</sub>	mm	19	22
Diametrul filetului la partea inferioara a gaurii Bottom end threaded hole diameter	d <sub>2</sub>	mm	21	24
Adincimea gaurii filetate Depth of the hole diameter	h	mm	31	38
Distanta de la partea inferioara pina la filet Distance between bottom part and the thread	h <sub>1</sub>	mm	38	41
Linia de fuga Creepage distance		mm	125	135
Masa Weigth		kg	0,360	0,6

**GROSS TOLERANCES: ACORDING TO DIN 40680  
CHARACTERISTICS**

			114-231	114-230
Code			114-231	114-230
Rezistenta mecanica Mechanical load		kN	10	18
Tensiunea de tinere la frecventa industrialia Power frequency withstand voltage,dry	Uscat (dry)	kV <sub>ef</sub>	35	40
	Sub ploaie(wet)	kV <sub>ef</sub>	15	15
Test methods			IEC 60383-1/93, IEC 60071-1/93	