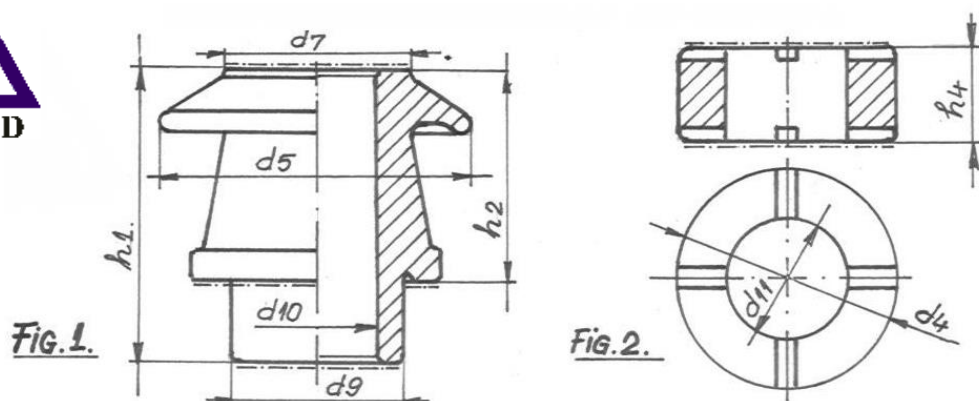


IZOLATOARE DE TRECERE 3kV SI 4500 / 6500 A PT. TRANSFORMATOARE
TRANSFORMER BUSHINGS FOR 3kV AND 4500 / 6500 A
DIN 42539



DIMENSIUNI
DIMENSIONS

Izolator superior Upper insulator			3 kV 4500 / 6500 A	3 kV / 4500 A	3 kV / 6500 A
Cod Code			F 114-142	F 114-234	F 114-233
Figura Figure			1	1	1
Inaltime, max Height, max	h₁	mm	146	146	146
Diametrul maxim Maximal diameter	d₅	mm	175	175	175
Diametrul fetei superioare Diameter of the top face	d₇	mm	130	130	130
Diametrul gaurii, min Hole diameter, min	d₁₀	mm	85	60	78
Inaltimea partii exterioare a izolatorului, min External height of the insulator, min	h₂	mm	96	96	96
Diametrul zonei imersate, max Shank diameter, max	d₉	mm	max 115	max 115	max 115
Masa Weight		kg	2,35	2,35	2,35

DIMENSIUNI
DIMENSIONS

Izolator inferior Lower insulator			1 kV 4500 / 6500 B	1/4500 B	
Cod			F114-143	F114-241	
Figura			2		
Inaltime, min Height, max	h₄	mm	min 63	45	
Diametrul exterior maxim Maximal external diameter	d₄	mm	160	150	
Diametrul interior, minim Internal diameter, min	d₁₁	mm	min 120	120	
Masa Weight		kg	1,20		

GROSS TOLERANCES: ACORDING TO DIN 40680