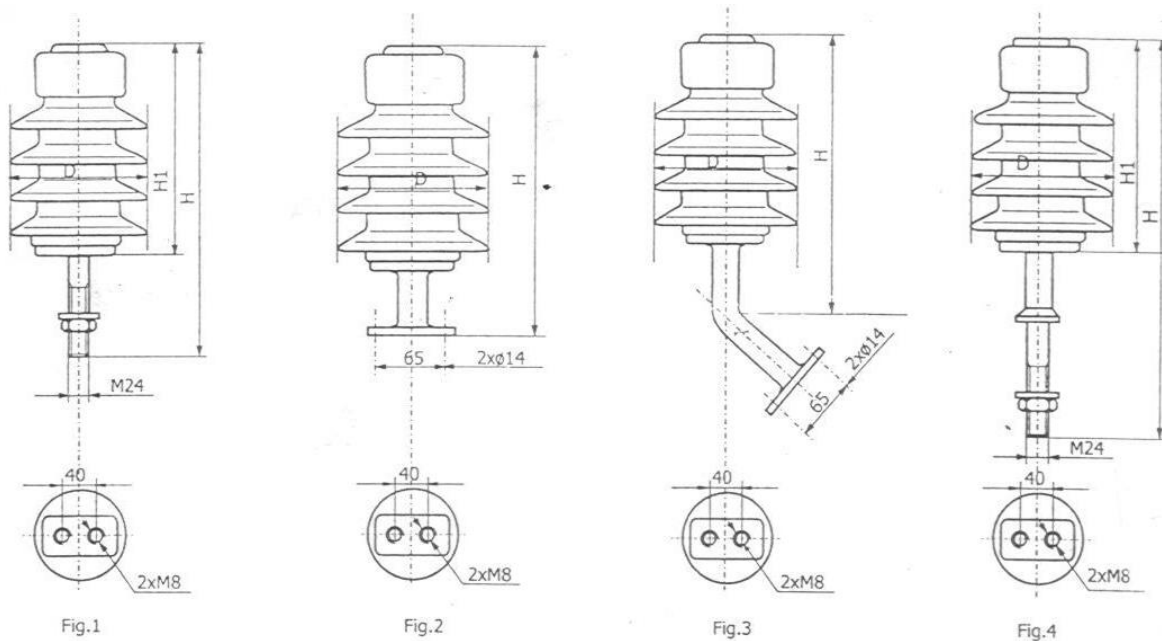


SUPORTURI IZOLANTE DE EXTERIOR 24 kV, CLASA B

24 kV OUTDOOR POST INSULATOR, CLASS B



DIMENSIUNI SI CARACTERISTICI DIMENSIONS AND CHARACTERISTICS

Tip / Tipe		24 – PB - 125			
Cod / Code		F 113 – 014.1	F 113 – 014.2	F 113 – 014.3	F 113 – 014.4
Figura / Figure		1	2	3	4
H	mm	368	338	327	445
H ₁	mm	258	-	-	325
D	Mm	160	160	160	160
Linia de fuga Creepage distance	mm	435	435	435	435
Tensiunea de tinere la ITT Lightning impulse withstand voltage	kV _{max}	125	125	125	125
Tensiunea de tinere la frecventa ind. sub ploaie Power frequency withstand voltage, wet	kV _{min}	50	50	50	50
Rezistanta mecanica Mechanical load	kN	7,5	7,5	7,5	7,5
Masa / Weight	kg	5,8	7	7,4	6,4