

**IZOLATOARE DE TRECERE 1kV / 4000 / 5000 A PT. TRANSFORMATOARE
TRANSFORMER BUSHINGS FOR 1kV / 4000 / 5000 A**

EN 50386

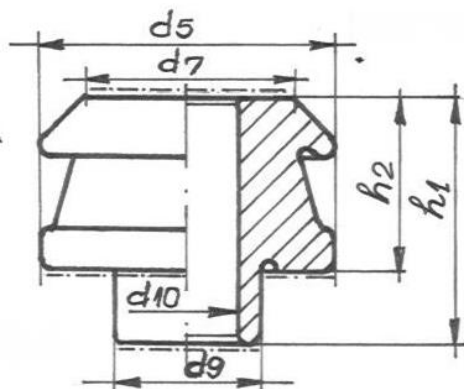
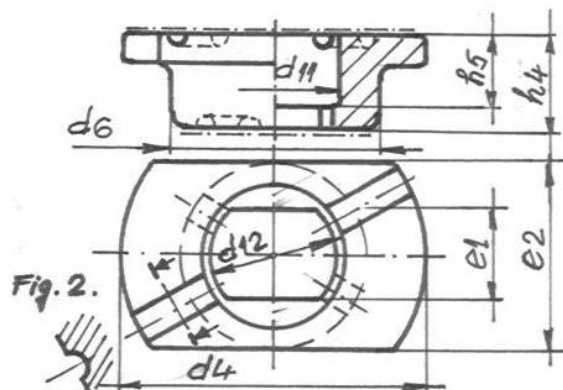


Fig.1



**DIMENSIUNI
DIMENSIONS**

Izolator superior Upper insulator			1/1250	1 - 4000/5000 A
Code			F 114-218	F 114-164
Figura / Figure			1	1
Inaltime, max Height, max	h ₁	mm	85	max 90
Diametrul maxim Maximal diameter	d ₅	mm	90	max 180
Diametrul fetei superioare Diameter of the top face	d ₇	mm	65	130
Diametrul gaurii, min Hole diameter, min	d ₁₀	mm	32	min 70
Inaltimea partii exterioare a izolatorului, min External height of the insulator, min	h ₂	mm	55	max 60
Diametrul zonei imersate, max Shank diameter, max	d ₉	mm	53	max 114
Masa Weight		kg	0,695	1,90

**DIMENSIUNI
DIMENSIONS**

Izolator inferior Lower insulator			1 DT 4000/5000 B
Cod			F114-165
Figura			2
Inaltime, min Height, max	h ₄	mm	min 40
Diametrul exterior maxim Maximal external diameter	d ₄	mm	max 180
Diametrul interior, minim Internal diameter, min	d ₁₁	mm	min 120
Diametrul gaurii, min Hole diameter, min	d ₁₂	mm	min 117
Adincimea gaurii, min Te depth hole, min	h ₅	mm	min 28
Diametrul exterior External diameter	d ₆	mm	50
Distanța între fetele laterale int. min Distance between the int. faces, min	e ₁	mm	min 96
Distanța între fetele laterale ext. min Distance between the ext. faces, min	e ₂	mm	166
Masa Weight		kg	1,20