

**IZOLATOARE DE TRECERE 1kV / 250A, 630A, 1000A, 2000A, 31350A CU CANAL
TRANSFORMER BUSHINGS FOR 1kV / 250A, 630A 1000A, 2000A, 31350A WITH GROOVE
EN50386**

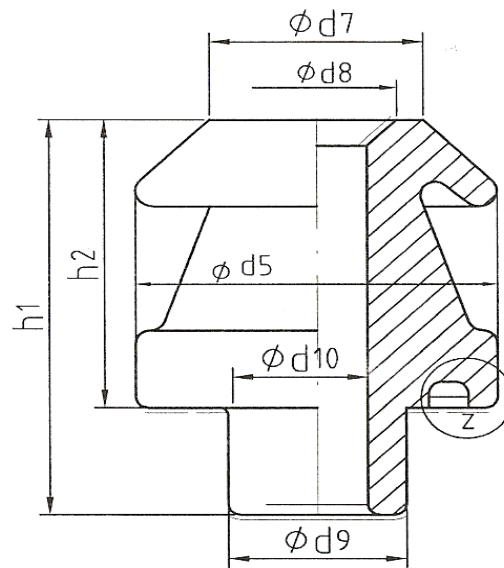


Fig. 1

**DIMENSIUNI
DIMENSIONS**

Izolator superior Upper insulator			1 / 250 A	1 / 630 A	1 / 1000 A	1 / 2000 A	1 / 3150 A
Code			F114-232	F114-236	F114-237	F114-238	F114-239
Figura Figure			1	1	1	1	1
Inaltime, max Height, max	h₁	mm	68	79	86	90	90
Diametrul maxim Maximal diameter	d₅	mm	52	70	90	104	125
Diametrul fetei superioare Diameter of the top face	d₇	mm	32	46	60	80	97
Diametrul gaurii fetei superioare Hole diameter of the top face	d₈	mm	24	33	46	60	66
Diametrul gaurii, min Hole diameter, min	d₁₀	mm	14	22	32	44	50
Inaltimea partii exterioare a izolatorului, min External height of the insulator, min	h₂	mm	48	60	60	60	60
Diametrul zonei imersate, max Shank diameter, max	d₉	mm	27	43	54	68	87
Masa Weight		kg	0,180	0,390	0,650	0,872	1,42

GROSS TOLERANCES: ACORDING TO DIN 40680