

**IZOLATOARE DE TRECERE 1kV / 250A, 630A, 1250A, 2000A, 3150A PT.
TRANSFORMATOARE**

**INSFORMER BUSHINGS FOR 1kV / 250A, 630A, 1000A, 2000A, 3150A
EN 50386**

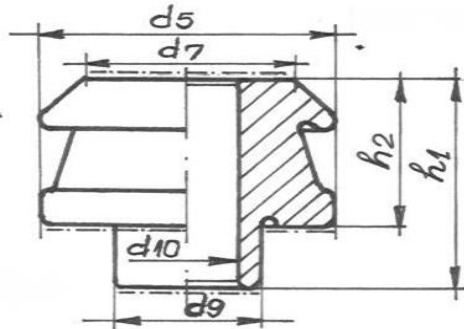
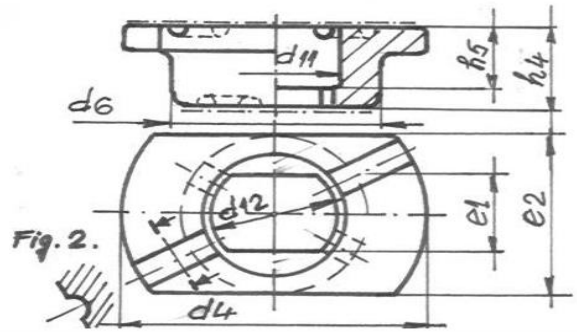


Fig.1



**DIMENSIUNI
DIMENSIONS**

Izolator superior Upper insulator			1 / 250 A	1 / 630 A	1 / 1000 A	1 / 2000 A	1 / 3150 A
Code			F114-154	F114-156	F114-158	F114-160	F114-162
Figura / Figure			1	1	1	1	1
Inaltime, max Height, max	h ₁	mm	min 86	min 86	min 85	min 85	min 85
Diametrul maxim Maximal diameter	d ₅	mm	max 56	max 70	max 90	max 104	max 125
Diametrul fetei superioare Diameter of the top face	d ₇	mm	30	40	65	80	100
Diametrul gaurii, min Hole diameter, min	d ₁₀	mm	min 14	min 22	min 32	min 44	min 50
Inaltimea partii exterioare a izolatorului, min External height of the insulator, min	h ₂	mm	max 69	max 69	max 55	max 55	max 55
Diametrul zonei imersate, max Shank diameter, max	d ₉	mm	max 27	max 43	max 53	max 66	max 86
Masa Weight		kg	0,24	0,40	0,53	0,74	1,15

**DIMENSIUNI
DIMENSIONS**

Izolator inferior Lower insulator			1 / 250 B	1 / 630 B	1 / 1000 B	1 / 2000 B	1 / 3150 B
Code			F114-155	F114-157	F114-159	F114-161	F114-163
Figura			2	2	2	2	2
Inaltime, min Height, max	h ₄	mm	min 30	min 30	min 35	min 35	min 35
Diametrul exterior maxim Maximal external diameter	d ₄	mm	max 60	max 85	max 110	max 125	max 150
Diametrul interior, minim Internal diameter, min	d ₁₁	mm	min 30	min 46	min 57	min 70	min 90
Diametrul gaurii, min Hole diameter, min	d ₁₂	mm	min 26	min 41	min 46	min 64	min 87
Adincimea gaurii, min Te depth hole, min	h ₅	mm	min 20	min 20	min 25	min 25	min 25
Diametrul exterior External diameter	d ₆	mm	50	70	90	104	125
Distanța între fetele laterale int. min Distance between the int. faces, min	e ₁	mm	min 20	min 28	min 37	min 51	min 61
Distanța între fetele laterale ext. min Distance between the ext. faces, min	e ₂	mm	50	70	90	104	125
Masa Weight		kg	0,11	0,18	0,37	0,45	1,21

GROSS TOLERANCES: ACORDING TO DIN 40680