

**IZOLATOARE DE TRECERE 1kV / 1250A, 2000A, 3150A, 4 kA - 5kA PT.
TRANSFORMATOARE
TRANSFORMER BUSHINGS FOR 1kV / 1250A, 2000A, 3150A, 4 kA - 5kA
EN 50386**

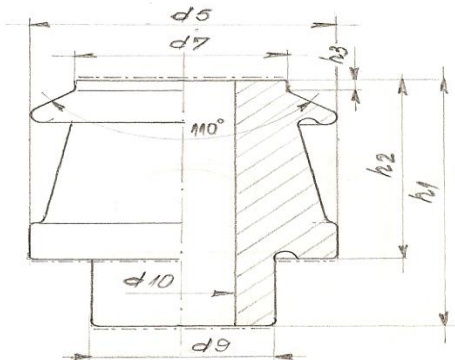


Fig 1

**DIMENSIUNI
DIMENSIONS**

Izolator superior Upper insulator			1 / 1250 A	1 / 2000 A	1 / 3150 A	1 / 4-5 kA A
Code			F114-205	F114-206	F114-207	F114-208
Figura / Figure			1	1	1	1
Inaltime, max Height, max	h ₁	mm	85	85	85	90
Diametrul maxim Maximal diameter	d ₅	mm	90	104	125	180
Diametrul fetei superioare Diameter of the top face	d ₇	mm	63	80	90	128
Diametrul gaurii, min Hole diameter, min	d ₁₀	mm	32	44	50	70
Inaltimea partii exterioare a izolatorului, min External height of the insulator, min	h ₂	mm	55	55	55	60
Inaltime umar Height shoulder	h ₃	mm	3,5	4,5	4,5	3,5
Diametrul zonei imersate, max Shank diameter, max	d ₉	mm	53	66	86	114
Masa Weight		kg	0,650	0,810	1,361	2,400

GROSS TOLERANCES: ACORDING TO DIN 40680