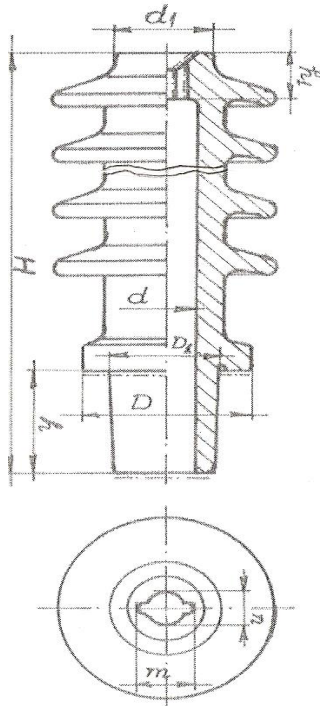


**IZOLATOARE DE TRECERE 12kV, 24kV, 36 kV / 250 A PENTRU TRANSFORMATOARE
OUTDOOR TYPE TRANSFORMER BUSHINGS FOR 12 kV, 24 kV, 36 kV / 250 A
EN 50180**



**DIMENSIUNI
DIMENSIONS**

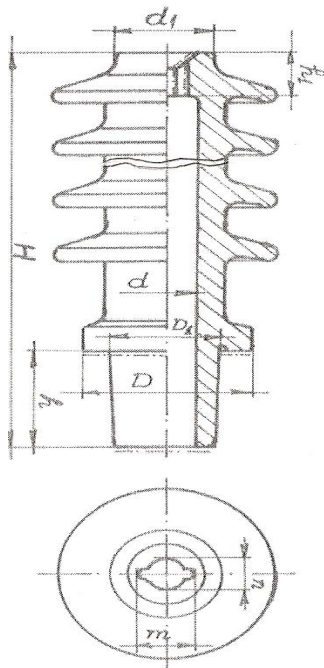
			12kV 250 A P ₁ 12kV 250 A P ₂ T1	12kV 250 A P ₄ 24kV 250 A P ₂ T2	24kV 250 A P ₃ 12kV 250 A P ₁ T3	24kV 250 A P ₄ 36kV 250 A P ₃ T4	36kV 250 A P ₄ T5
Code			F 113-055	F 113-024	F 113-025	F 113-026	F 113-050
Numar de aripi Number of sheds			2	4	5	8	8
Inaltime Height	H	mm	273	387	440	599	599
Diametrul gaurii Hole diameter	d	mm	33	33	33	33	33
Diametrul gaurii la cap. superior Top end hole diameter	n	mm	15	15	15	15	15
Diametrul flansei Flange diameter	D	mm	111	111	111	111	111
Diametrul zonei imersate Shank diameter	D ₁	mm	77	77	77	77	77
Lungimea zonei imersate Shank length	h	mm	83	83	83	83	83
Lungimea gaurii profilate Top end hole length	h ₁	mm	37	37	37	37	37
Diametrul fetei superioare Top face diameter	d ₁	mm	42	42	42	42	42
Distanța între extrem. canalelor gaurii profilate Distance between the extremities the grooves of the top end hole	m	mm	22	22	22	22	22
Linia de fuga Creepage distance		mm	260	490	605	935	1165
Masa Weight		kg	2,90	4,80	6,20	9,10	13,50

GROSS TOLERANCES: ACORDING TO DIN 40680

**CARACTERISTICI
CHARACTERISTICS**

		12kV 250 A P ₁ 12kV 250 A P ₂	12kV 250 A P ₄ 24kV 250 A P ₂	24kV 250 A P ₃ 36kV 250 A P ₁	24kV 250 A P ₄ 36kV 250 A P ₃	36kV 250 A P ₄
Code		F 113-055	F 113-024	F 113-025	F 113-026	F 113-050
Tensiunea de tinere ITT Lightning impulse withstand voltage	kV _{max}	75	75 125	125 190	125 190	190
Tensiunea de tinere la frecventa industrială sub ploaie Power frequency withstand voltage, wet	kV _{ef}	28	28 50	50 80	50 80	80

**IZOLATOARE DE TRECERE 12kV, 24kV, 36 kV / 630 A PENTRU TRANSFORMATOARE
OUTDOOR TYPE TRANSFORMER BUSHINGS FOR 12 kV, 24 kV, 36 kV / 630 A
EN 50180**



**DIMENSIUNI
DIMENSIONS**

			12kV 630 A P ₃ T6	12kV 630 A P ₄ 24kV 630 A P ₂ T7	24kV 630 A P ₄ 12kV 630 A P ₂ T8	24kV 630 A P ₄ T9
Code			F 113-051	F 113-056	F 113-057	F 113-052
Numar de aripi Number of sheds			2	3	5	7
Inaltime Height	H	mm	318	408	506	598
Diametrul gaurii Hole diameter	d	mm	39	39	39	39
Diametrul gaurii la cap. superior Top end hole diameter	n	mm	24,5	24,5	24,5	24,5
Diametrul flanseii Flange diameter	D	mm	128	128	128	128
Diametrul zonei imersate Shank diameter	D ₁	mm	87	87	87	87
Lungimea zonei imersate Shank length	h	mm	83	83	83	83
Lungimea gaurii profilate Top end hole length	h ₁	mm	37	37	37	37
Diametrul fetei superioare Top face diameter	d ₁	mm	52	52	52	52
Distanta intre extrem. canalelor gaurii profilete Distance between the extremities the grooves of the top end hole	m	mm	30,5	30,5	30,5	30,5
Linia de fuga Creepage distance		mm	315	490	760	1155
Masa Weight		kg	3,80	7,00	9,00	13,00

GROSS TOLERANCES: ACORDING TO DIN 40680

**CARACTERISTICI
CHARACTERISTICS**

		12kV 630 A P ₃	12kV 630 A P ₄ 24kV 630 A P ₂	24kV 630 A P ₄ 36kV 630 A P ₂	36kV 630 A P ₄
Cod Code		F 113-051	F 113-056	F 113-057	F 113-052
Tensiunea de tinere ITT Lightning impulse withstand voltage	kV _{max}	75	75 125	125 190	190
Tensiunea de tinere la frecventa industrială sub ploaie Power frequency withstand voltage, wet	kV _{ef}	28	28 50	50 80	80